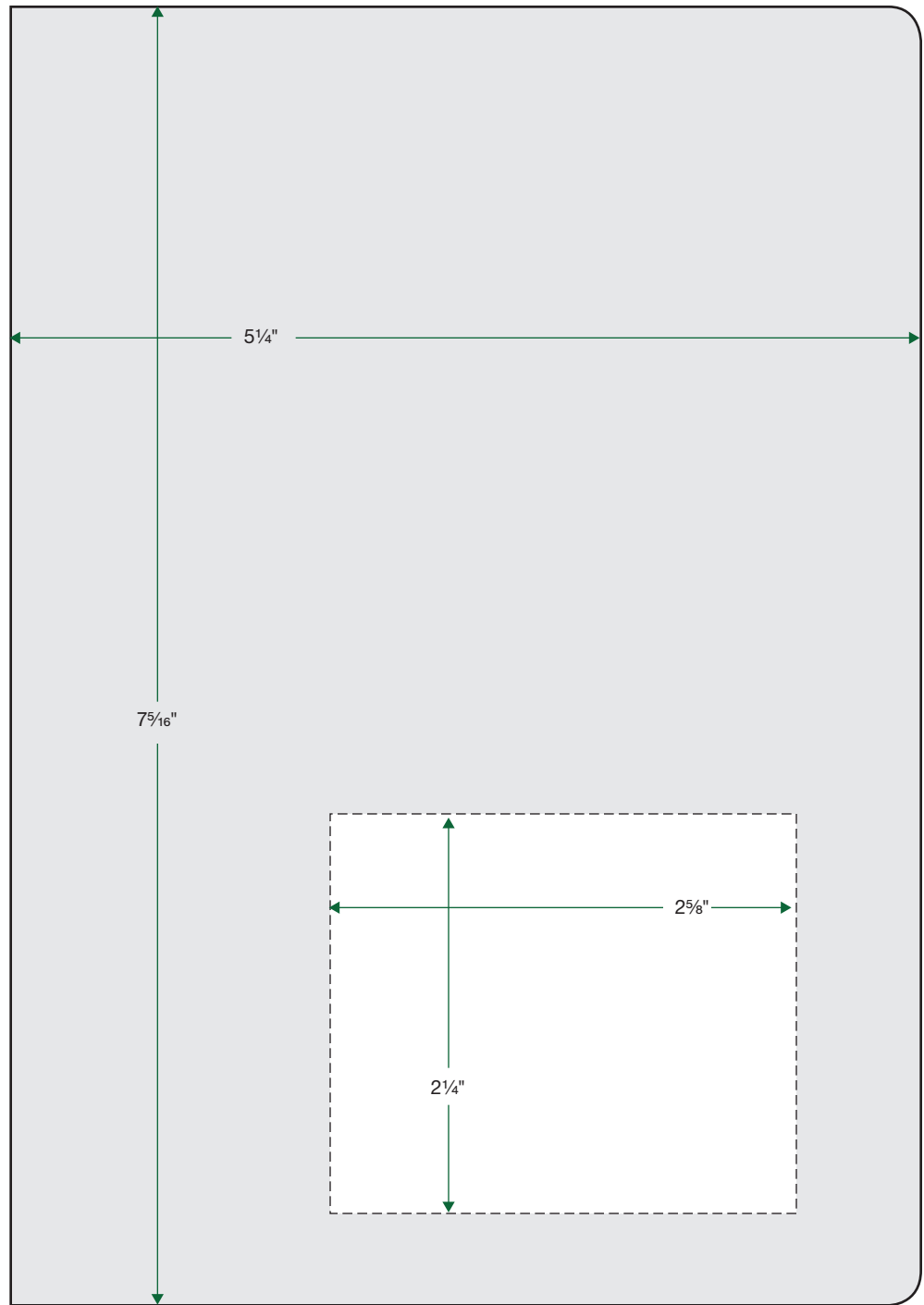


FILOFAX PERSONAL ORGANIZER

(STAMPED)

7 ⁵/₁₆" X 5 ¹/₄"



SAFE TEXT AREA